

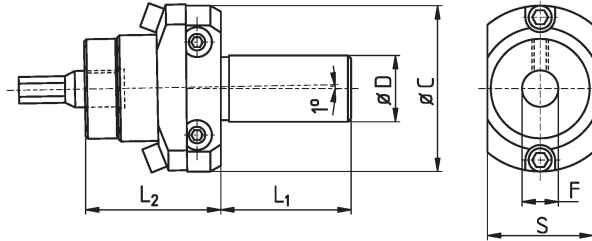
# Innenräumen / Innentaumeln

## *Internal Broaching*



Räumhalter, taumelnd, einstellbar

Broaching Heads, Adjustable



Dorn - broach: Ø 8mm Länge variabel - length variable						
Bestell-Nr. order-no.	D	L <sub>2</sub>	L <sub>1</sub>	C	F	S
U175.110	10	35	35	50	8	30
U175.112	12	35	35	50	8	30
U175.114	14	35	35	50	8	30
U175.115	5/8"	35	35	50	8	30
U175.116	16	35	40	50	8	30
U175.119	3/4"	35	46	50	8	30
U175.120	20	35	50	50	8	30
U175.120b	20	35	125	50	8	30
U175.120c	20	35	30	50	8	30
U175.122c	22	35	35	50	8	30
U175.122	22	35	80	50	8	30
U175.125	25	35	50	50	8	30
U175.125a	25	35	80	50	8	30
U175.125b	25	35	125	50	8	30
U175.126	1"	35	46	50	8	30
U175.126b	1"	35	80	50	8	30
U175.128	28	35	60	50	8	30
U175.122SRJ	22	37	25	50	8	28
U175.122SRR	22	37	25	50	8	30

Dorn - broach: Ø 12 Länge variabel - length variable						
Bestell-Nr. order-no.	D	L <sub>2</sub>	L <sub>1</sub>	C	F	S
U175.216	16	52	50	62	12	40,5
U175.219	3/4"	52	50	62	12	40,5
U175.220	20	51,5	50	62	12	40,5
U175.222	22	52	50	62	12	40,5
U175.222a	22	51,5	70	62	12	40,5
U175.225	25	52	50	62	12	40,5
U175.225b	25	52	125	62	12	40,5
U175.226	1"	52	50	62	12	40,5
U175.226b	1"	52	80	62	12	40,5
U175.230	30	52	50	62	12	40,5
U175.231	1 1/4"	52	50	62	12	40,5
U175.232	32	52	50	62	12	40,5

Mit MK-Aufnahmeschaft with Morse Taper Shank						
Bestell-Nr. order-no.	D	L <sub>2</sub>	L <sub>1</sub>	C	F	S
U175.202	MK 2	52	-	62	12	40,5
U175.203	MK 3	52	-	62	12	40,5

Für STAR-Maschinen for STAR-machines	
U175.122SRJ	für for STAR SR 10 J
U175.122SRR	für for STAR SB 16 / 20; SB20R; SR 20 J; SR 20 R; SR 32 J; SR 20 R4

Anpressdruck max. 200 daN  
Max. pushing force

Anpressdruck max. 1200 daN  
Max. pushing force

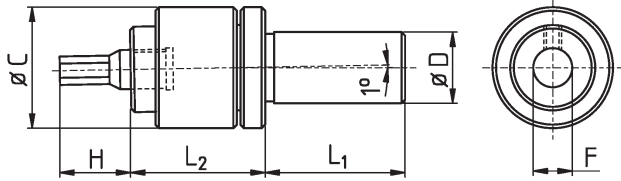
Schlüssel für Räumhalter

Spanners For Broaching Heads

Bestell-Nr. order-no.	für Räumhalter for broaching heads
U175.500H	U175.5..
U175.600H	U175.6..
U175.700H	U175.7..
U175.800H	U175.8..

Räumhalter, taumelnd, fest

Broaching Heads, Fixed



Dorn - broach: Ø 12 x 40mm						
Bestell-Nr. order-no.	D	L <sub>2</sub>	L <sub>1</sub>	C	F	H
U175.702	MK2	46	69	44	12	25
U175.716	16	46	50	44	12	25
U175.719	3/4"	46	50	44	12	25
U175.720	20	46	50	43,5	12	25
U175.722	22	46	50	44	12	25
U175.725	25	46	50	44	12	25
U175.725FL	25	46	50	44	12	25
U175.726	1"	46	50	44	12	25
U175.732	32	46	50	44	12	25

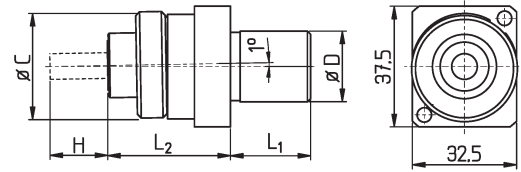
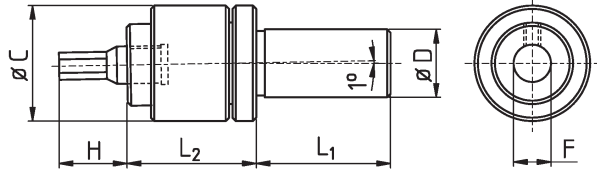
passende Räumdorne: V812 - suitable Wobble Broaches: V812

Dorn - broach: Ø 16 x 60mm						
Bestell-Nr. order-no.	D	L <sub>2</sub>	L <sub>1</sub>	C	F	H
U175.820	20	76	50	58	16	40
U175.825	25	76	50	58	16	40
U175.826	1"	76	50	58	16	40
U175.830	30	76	50	58	16	40
U175.831	1 1/4"	76	50	58	16	40
U175.832	32	76	50	58	16	40
U175.835	35	76	50	58	16	40
U175.840	40	77	80	58	16	40

Mit MK-Aufnahmeschaft with Morse Taper Shank						
Bestell-Nr. order-no.	D	L <sub>2</sub>	L <sub>1</sub>	C	F	H
U175.803	MK3	76	85	58	16	40
U175.804	MK4	76	109	58	16	40

Anpressdruck max. 800 daN  
Max. pushing force

Anpressdruck max. 2500 daN  
Max. pushing force



U175.622 SW

Dorn - broach: Ø 8 x 28mm (PCM)						
Bestell-Nr. order-no.	D	L <sub>2</sub>	L <sub>1</sub>	C	F	H
U175.602	MK2	38	69	32	8	18
U175.610	10	38	35	32	8	18
U175.612	12	38	35	32	8	18
U175.614	14	38	35	32	8	18
U175.616	16	38	35	33	8	18
U175.619	3/4"	38	50	33	8	18
U175.620	20	38	50	33	8	18
U175.622	22	38	50	33	8	18
U175.622 SW*	22	38	25	32	8	18
U175.625	25	38	50	33	8	18
U175.626	1"	38	50	33	8	18

\* Für for Star SW20; SR 20 R4  
passende Räumdorne: V828 - suitable Wobble Broaches: V828

Dorn - broach: Ø 5 x 17mm						
Bestell-Nr. order-no.	D	L <sub>2</sub>	L <sub>1</sub>	C	F	H
U175.508	8	34	35	22	5	10
U175.510	10	34	35	22	5	10
U175.512	12	34	35	22	5	10
U175.514	14	34	35	22	5	10
U175.515	5/8	34	35	22	5	10
U175.516	16	34	35	22	5	10
U175.519	3/4"	34	46	22	5	10
U175.520	20	34	46	22	5	10
U175.522	22	33,5	67	22	5	10

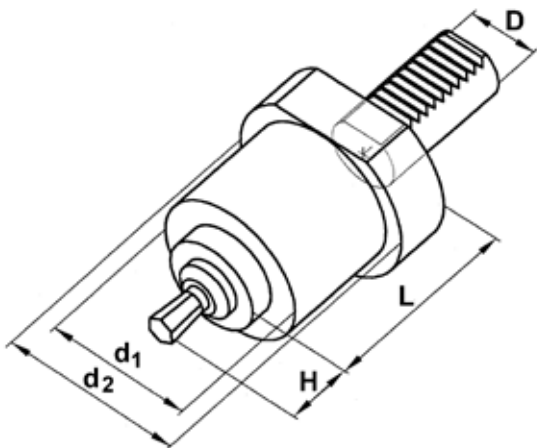
passende Räumdorne: V805 - suitable Wobble Broaches: V805

Anpressdruck max.  
Max. pushing force 300 daN

Anpressdruck max.  
Max. pushing force 120 daN

### VDI-Räumhalter

### VDI-Broaching Heads



Dorn - broach: Ø 12 x 40 mm						
Bestell-Nr. order-no.	D	d <sub>1</sub>	d <sub>2</sub>	L	H	Aufnahme holding fixture
U175V20-12	20	44	47	57	25	12
U175V30-12	30	58	68	83	25	12
U175V40-12	40	58	83	83	25	12

passende Räumdorne: V812 - suitable Wobble Broaches: V812

Dorn - broach: Ø 16 x 55 mm						
Bestell-Nr. order-no.	D	d <sub>1</sub>	d <sub>2</sub>	L	H	Aufnahme holding fixture
U175V30-16	30	58	68	83	40	16
U175V40-16	40	58	83	83	40	16